



Engine	Yanmar 4TNV98C-SLY
Rated Power	46.2 kW (62 hp / 63 ps) @ 2,200 rpm
Net Power	44 kW (59 hp / 60 ps) @ 2,200 rpm
Maximum Dig Depth	4,540 mm
Standard Bucket Capacity	0.28 m ³
Operating Weight	8,700 kg

909E_{CR}
EXCAVATOR

PERFORMANCE PARAMETERS

Operating Weight	8,700 kg
Std. Bucket Heaped Capacity (Referenced)	0.28 m ³
Maximum Travel Speed	4.8 km/h
Swing Speed	10.5 rpm
Drawbar Pull	75 kN
Bucket Digging Force (ISO)	63 kN
Arm Digging Force (ISO)	37 kN

ENGINE

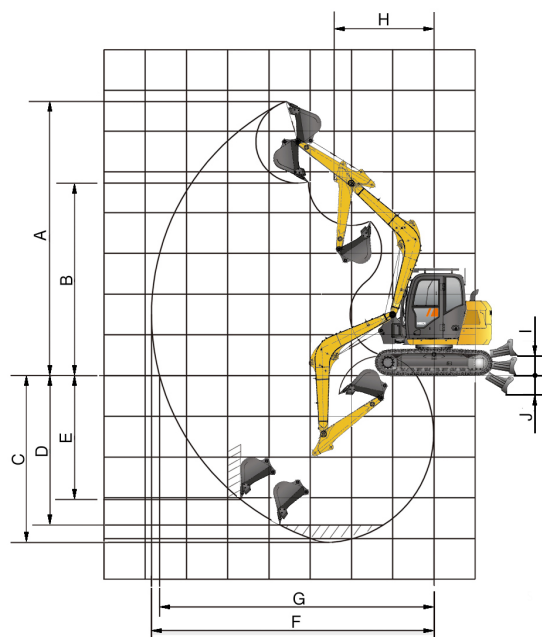
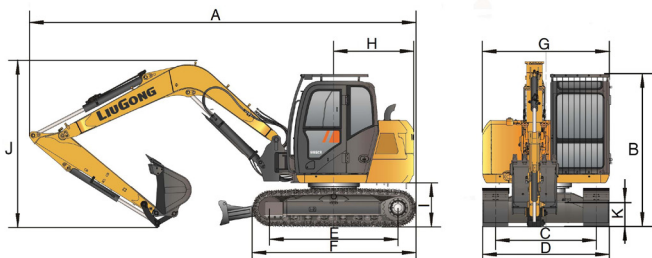
Emission Regulation	Tier 4F / Stage V
Manufacturer	Yanmar
Model	4TNV98C-SLY
Rated Power	46.2 kW (62 hp / 63 ps) @ 2,200 rpm
Net Power	44 kW (59 hp / 60 ps) @ 2,200 rpm
Peak Torque	241 N·m @ 1,430 rpm
Number of Cylinders	4
Displacement	3.3 L

UNDERCARRIAGE

Number of Shoes per Side	39
Number of Upper Rollers per Side	1
Number of Bottom Rollers per Side	6

DIMENSIONS

A Shipping Length	6,460 mm
B Shipping Height (Top of Cab)	2,710 mm
C Track Gauge	1,950 mm
D Undercarriage Width	2,400 mm
E Length to Center of Rollers	2,230 mm
F Track Length	2,845 mm
G Overall Width of Upper Structure	2,200 mm
H Tail Swing Radius	1,410 mm
I Counterweight Ground Clearance	760 mm
J Height (Top of Boom)	2,730 mm
K Min. Ground Clearance	360 mm



WORKING RANGE

Boom Length	3,375 mm
Arm Length	2,100 mm
A Max. Digging Reach	7,264 mm
B Max. Digging Reach on Ground	7,082 mm
C Max. Digging Depth	4,540 mm
D Max. Digging Depth, 2.5 m (8') Level	4,163 mm
E Max. Vertical Wall Digging Depth	3,963 mm
F Max. Cutting Height	6,525 mm
G Max. Dumping Height	4,577 mm
H Min. Front Swing Radius	2,421 mm
I Depth below Ground	440 mm
J Lift above Ground	420 mm

HYDRAULIC SYSTEM

Main Pumps Total Flow	196 L/min
Relief Pressure, main	28 MPa

SERVICE CAPACITIES

Fuel Tank	116 L
Engine Oil	11.6 L
Cooling System	14.5 L
Hydraulic Reservoir	72 L
Hydraulic System Total	110 L